

匯統國際股份有限公司

Huey Tung International Co., Ltd.

產品規格書 Specification

[Model : HT-01311 / 2010.12.21 version]



Cara Audio Corporation

No.69, Lane 762, Dingzhong Road, Sanmin District, Kaohsiung City, Taiwan, ROC.


Tel: 886-7-310 5786 / Fax: 886-7-310 0783

E-mail: carawang@hueytung.com.tw / <http://www.hueytung.com.tw>

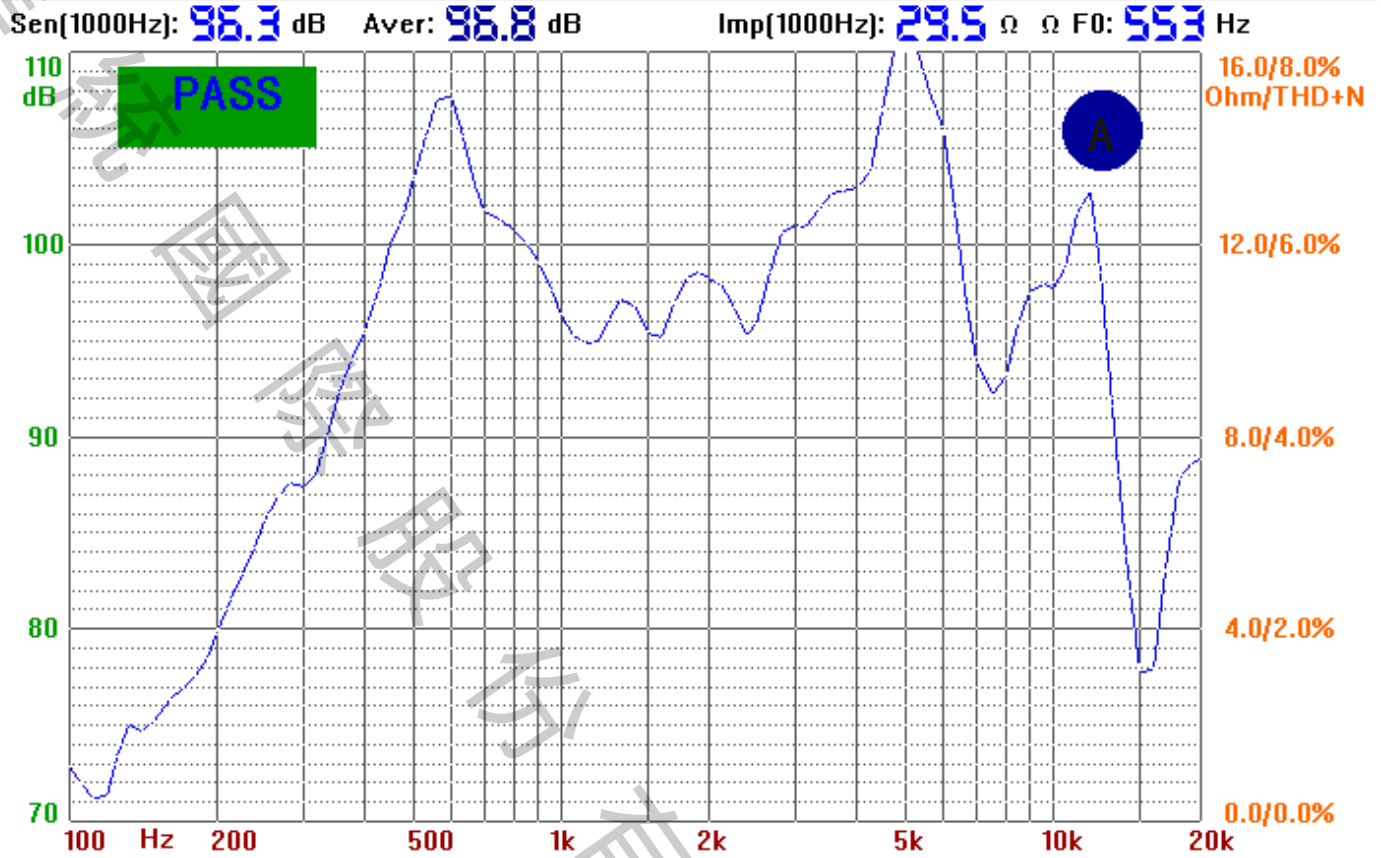
揚聲器製品規格書

SPEAKER SPECIFICATION

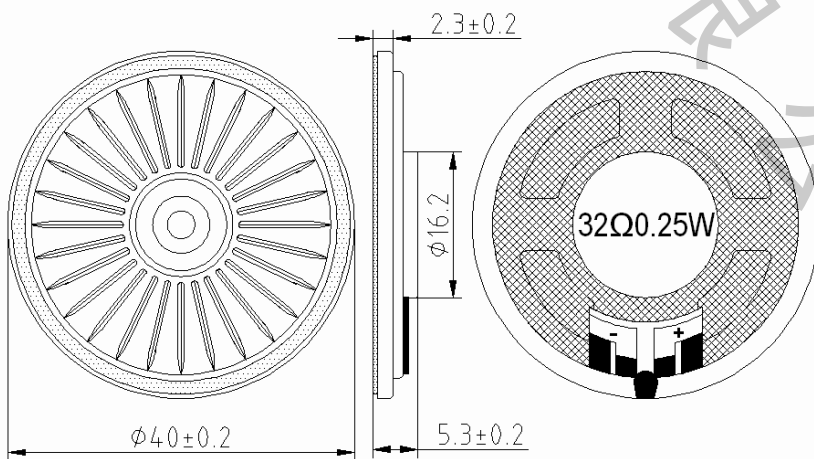
型號 Model Number: HT-01311

項目 Items		規格 Specification		
1	公称阻抗 Nominal Impedance	32Ω±10% at 1.0 kHz 1.0V		
2	最低共振周波数 Lowest Resonance Frequency	600 Hz±20%Hz Without a baffle		
3	实效周波数帯域 Effective Frequency Range	F0~6.5KHz -10dB		
4	出力音压 Output Sound Pressure Level	96±3dB 0.1W/0.1M at (8K,1.0K,1.2K,1.5K)Hz AVE.		
5	入力 Input	定格入力 Rated input 0.25 W	最大入力 Maximum input 0.5 W	
6	磁束密度 Flux Density	-----±10% GAUSS		
7	异常音试验电压 Buzz & Rattle Test	Should not be audible at 2.83V sine Wave between FO to 6.5KHz		
8	动作试验电压 Operation Test	Must be normal at program source 0.25W		
9	极性 Polarity	When a positive DC Current is applied to the voice coil terminal marked + or red, the diaphragm shall move forward		
10	磁石尺寸/重量 Magnet Dimension/Weigh	Magnet: Φ12.5*13t mm NdFeB Sub Magnet:	G	
11	连续负荷试验 Life Test	White noise 0.25W 96 hours	After the Test, Speaker should be meet the Outside and item 7,8	
12	耐热试验 Heat Resistance	60°C±3°C 20%-25%RH 96Hours and then room temperature 1 hours		
13	耐湿试验 Humidity Resistance	40°C±3°C 90%-95%RH 96Hours and then room temperature 1 hours		
14	耐寒试验 Cold Resistance	-20°C±3°C 12Hours and then room temperature 1 hours		
15	落下试验 Drop Test	Free drop from 100cm height to the concrete floor X,Y, Z 6 direction. 1 times each, total 6 times.		
16	绝缘耐压试验 Insulation Resistance	Or more 1MΩ 以上		
17	周波数特性 Frequency Response Curve	参照附图 On Other Drawing		
18	失真率 Distortion	MAX 5% at 1K Hz, 0.25W		
19	各部 材质	Diaphragm	PET	
		Voice Coil	φ 13.28 mm	
		Cap	/	
20	总重量 Total Weight	9.2G		
	Size:40mm 試作發行: 2010.12.21	Approve: Arthur	Check: John	Design: WANG

音波曲線 Frequency: HT-01311



成品圖及照片 Mechanical Dimensions : HT-01311



Tolerance:0.5
Unit: mm