



匯統國際股份有限公司

Huey Tung International Co., Ltd.

產品規格書

Specification

[Model : HT-3166 / 2013.03.20 version]



HT-3166



Cara Audio Corporation


No.69, Lane 762, Dingzhong Road, Sanmin District, Kaohsiung City, Taiwan, ROC.

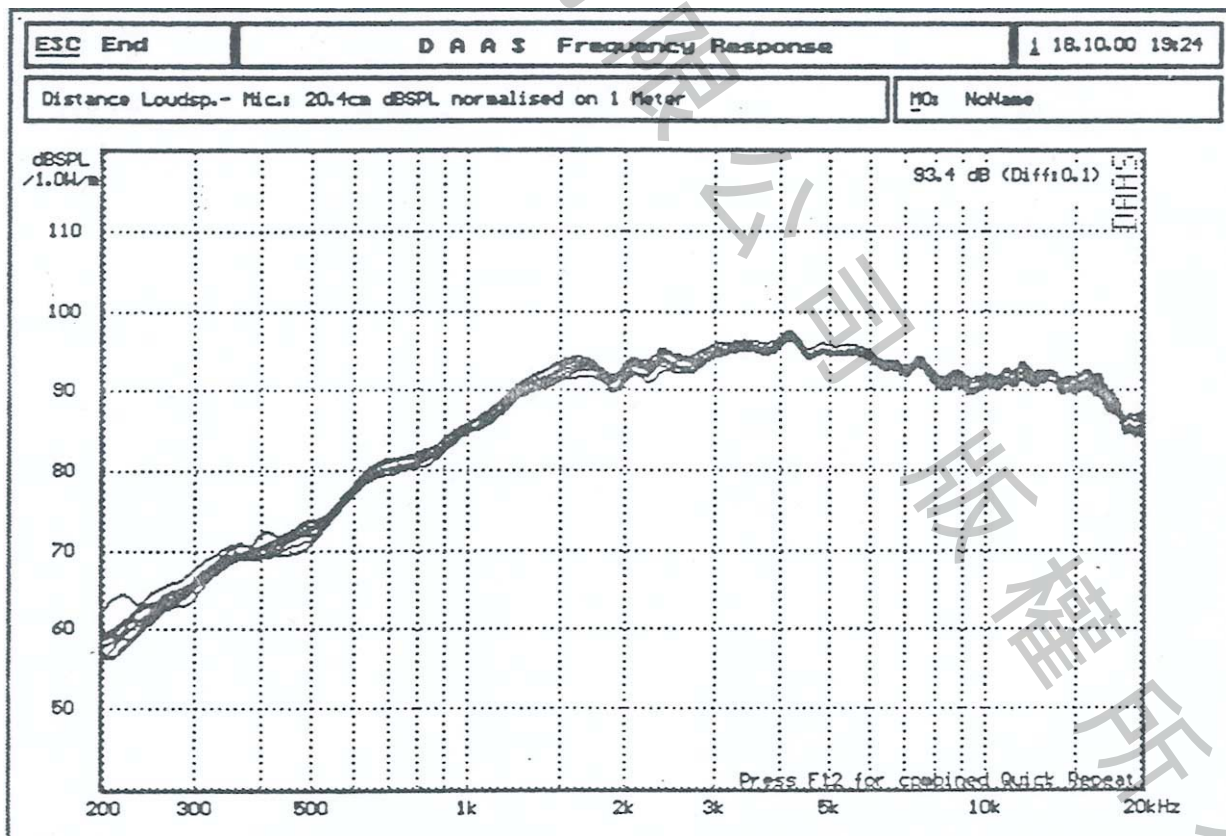
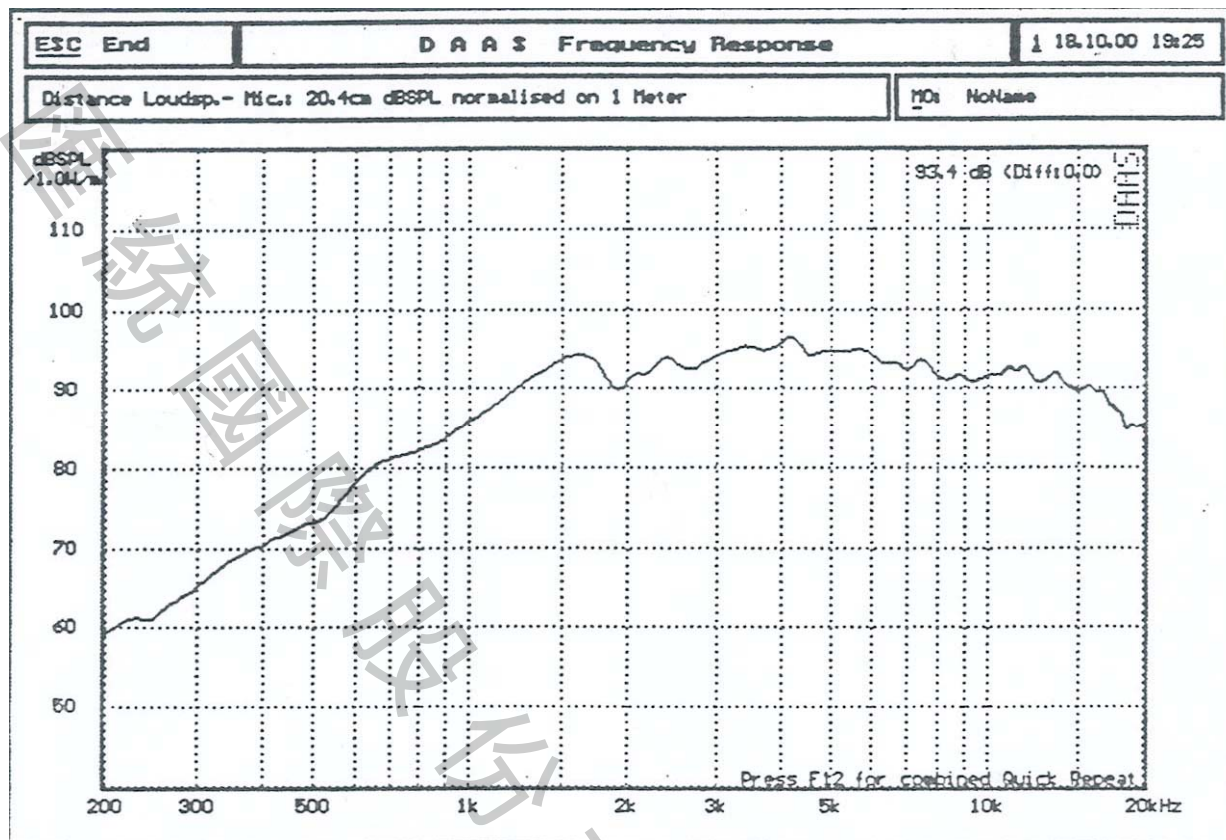
Tel: 886-7-310 5786 / Fax: 886-7-310 0783

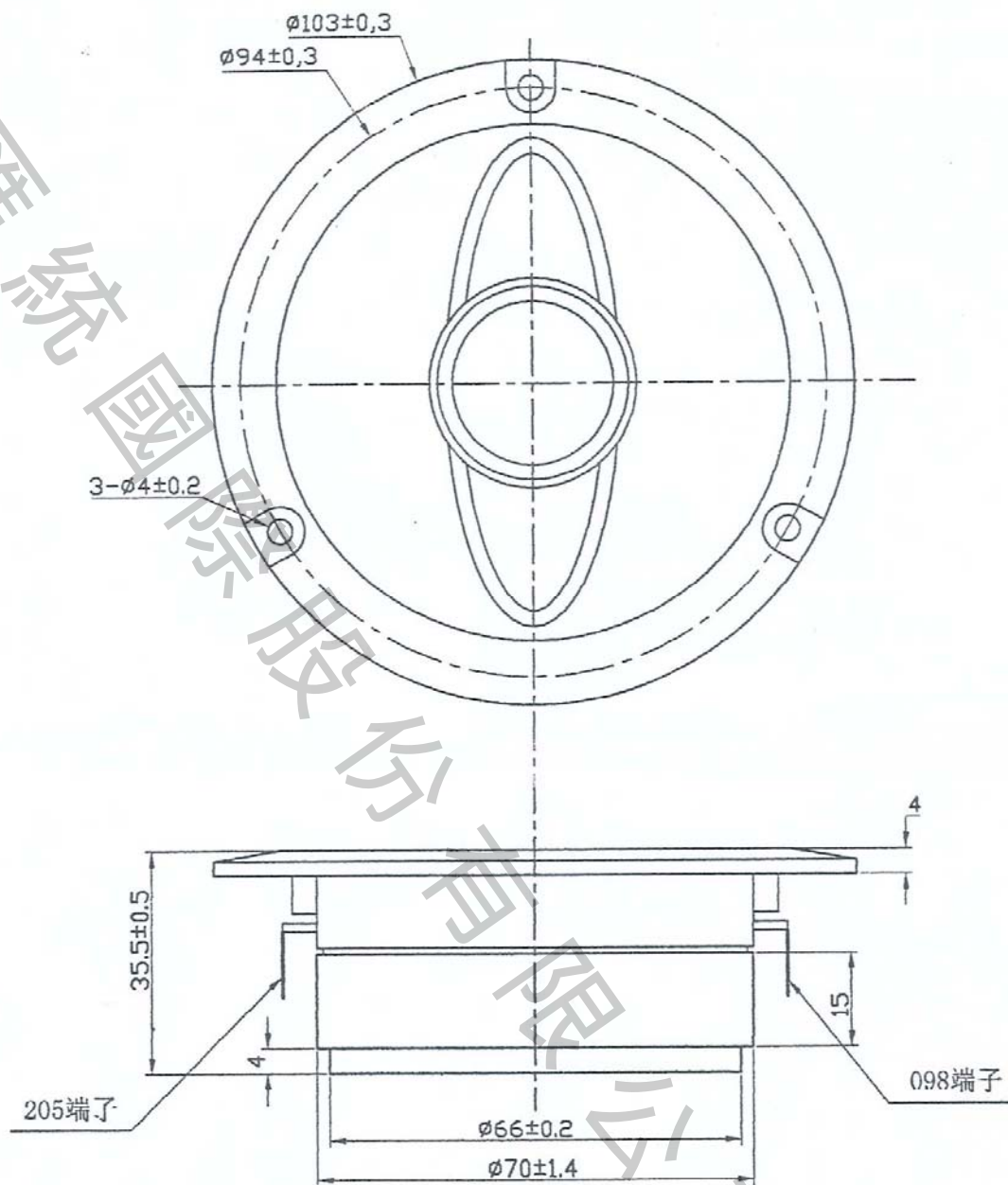
E-mail: carawang@hueytung.com.tw / <http://www.hueytung.com.tw>

揚聲器製品規格書 SPEAKER SPECIFICATION

型號 Model Number: HT-3166

項目 Items		規格 Specification		
1	公称阻抗 Nominal Impedance	8Ω±15% at 4000 Hz 1.0v		
2	最低共振周波数 Lowest Resonance Frequency	1800 Hz±20%Hz Without a baffle		
3	实效周波数带域 Effective Frequency Range	F0~16KHz -10dB		
4	出力音压 Output Sound Pressure Level	91.9dB±3dB 1W/1M at (3K,5K,7K,9K)Hz AVE.		
5	入力 Input	定格入力 Rated input 20 W	最大入力 Maximum input 40 W	
6	磁束密度 Flux Density	-----±10% GAUSS		
7	异常音试验电压 Buzz & Rattle Test	Must be normal at sine wave 11 V		
8	动作试验电压 Operation Test	Must be normal at program source 11 V		
9	极性 Polarity	/		
10	磁石尺寸/重量 Magnet Dimension/Weigh	Magnet: φ70*32*15 Sub Magnet:	245 G	
11	连续负荷试验 Life Test	PinkDin45573 noise 20 W hours	After the Test, Speaker should be meet the Outside and item 7,8	
12	耐热试验 Heat Resistance	70°C±2°C 20%-25%RH 8Hours and then room temperature 1 hours		
13	耐湿试验 Humidity Resistance	40°C±2°C 90%-95%RH 8Hours and then room temperature 1 hours		
14	耐寒试验 Cold Resistance	-25°C±2°C 24Hours and then room temperature 1 hours		
15	落下试验 Drop Test	1M 75°±2°		
16	绝缘耐压试验 Insulation Resistance	Or more 1MΩ 以上		
17	周波数特性 Frequency Response Curve	参照附图 On Other Drawing		
18	失真率 Distortion	5% Less than at 20W 1000Hz		
19	各部 材质	Cone Paper	Black Silk	
		Voice Coil	ACCW φ25.46mm	
		Cap	/	
20	总重量 Total Weight	498 G		
	Size:103*35.5mm	Approve:	Check:	Design:
	試作發行: 2004.10.19	Arthur	Chen	LIU





Tolerance:0.5

Unit: mm