



匯統國際股份有限公司

Huey Tung International Co., Ltd.

產品規格書

Specification

[Model : HT-3247 / 2012.11.13 version]



Cara Audio Corporation

No.69, Lane 762, Dingzhong Road, Sanmin District, Kaohsiung City, Taiwan, ROC.


Tel: 886-7-310 5786 / Fax: 886-7-310 0783

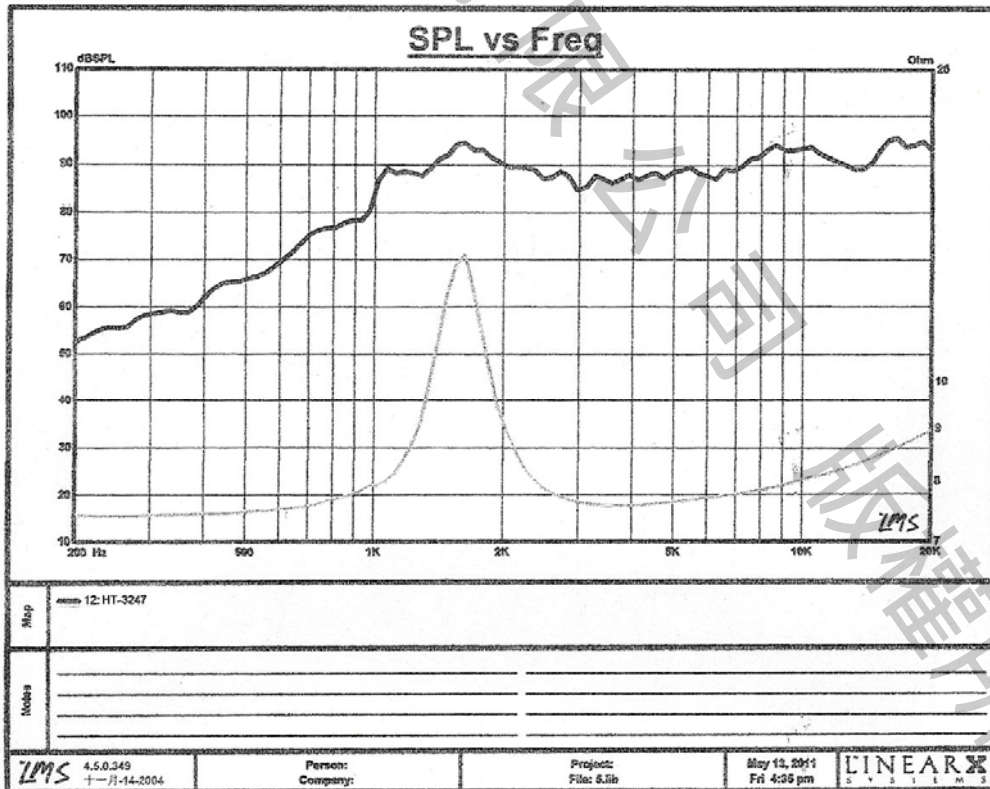
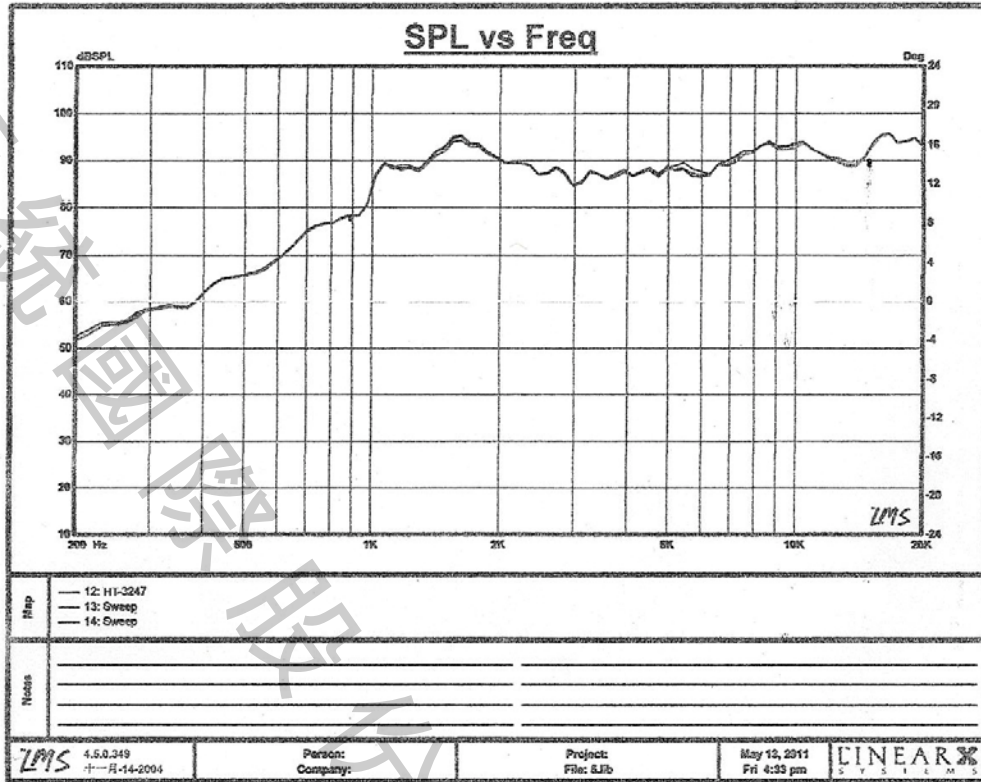
E-mail: carawang@hueytung.com.tw / <http://www.hueytung.com.tw>

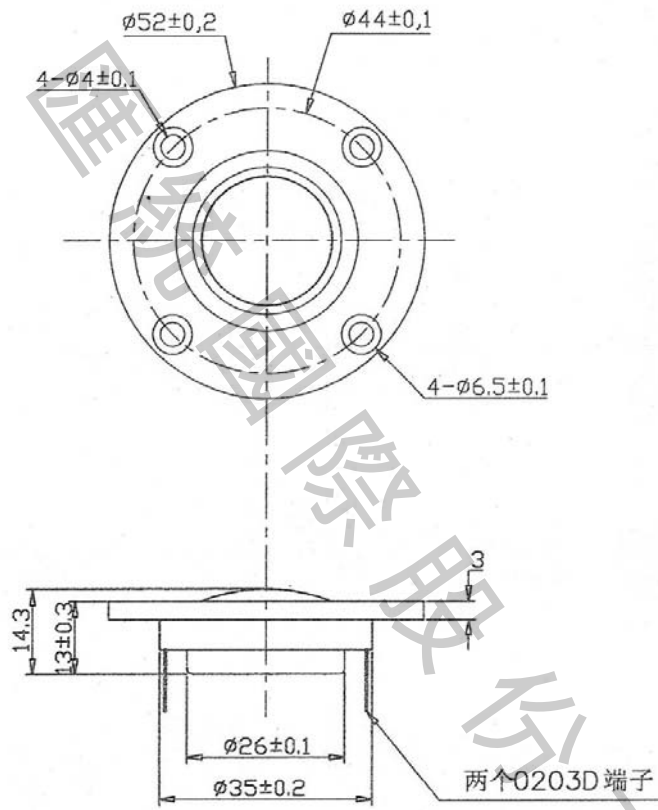
揚聲器製品規格書

SPEAKER SPECIFICATION

型號 Model Number: HT-3247 (1100086)

項目 Items		規格 Specification			
1	公称阻抗 Nominal Impedance	8 Ω ±15% at 7.2K Hz 1.0v			
2	最低共振周波数 Lowest Resonance Frequency	1700 Hz ±20%Hz Without a baffle			
3	实效周波数带域 Effective Frequency Range	F0~20KHz -10dB			
4	出力音压 Output Sound Pressure Level	89dB ±3dB 1M/1W at (3K, 5K, 7K, 9K)Hz AVE.			
5	入力 Input	定格入力 Rated input 15 W	最大入力 Maximum input 30 W		
6	磁束密度 Flux Density	----- ±10% GAUSS			
7	异常音试验电压 Buzz & Rattle Test	Must be normal at sine wave 7.74V With 2.2UF / 100V			
8	动作试验电压 Operation Test	Must be normal at program source			
9	极性 Polarity	/			
10	磁石尺寸/重量 Magnet Dimension/Weigh	Magnet: 19.5*3 N35 Sub Magnet:	/G		
11	连续负荷试验 Life Test	Din45573 2.2UF/100V noise 15 W 96 hours	After the Test, Speaker should be meet the Outside and item 7,8		
12	耐热试验 Heat Resistance	70°C ±2°C 30%-35%RH 8Hours and then room temperature 1 hours			
13	耐湿试验 Humidity Resistance	40°C ±2°C 90%-95%RH 8Hours and then room temperature 1 hours			
14	耐寒试验 Cold Resistance				
15	落下试验 Drop Test	1M 75° ±2°			
16	绝缘耐压试验 Insulation Resistance	Or more 1MΩ 以上			
17	周波数特性 Frequency Response Curve	参照附图 On Other Drawing			
18	失真率 Distortion	/			
19	各部 材质	Cone Paper	黑色特多龙		
		Voice Coil	20Φx8Ω ACCW + 导 180°		
		Cap	/		
20	总重量 Total Weight	12.27G			
		Size:52mm 試作發行: 2011.05.13	Approve: Arthur	Check: John	Design: LIU





Tolerance: ± 0.5

Unit: mm