



匯統國際股份有限公司

Huey Tung International Co.,Ltd.

產品規格書

Specification

[Model : HTPA-621 / 2013.4.11 version]



Cara Audio Corporation

No.69, Lane 762, Dingzhong Road, Sanmin District, Kaohsiung City, Taiwan, ROC.


Tel: 886-7-310 5786 / Fax: 886-7-310 0783

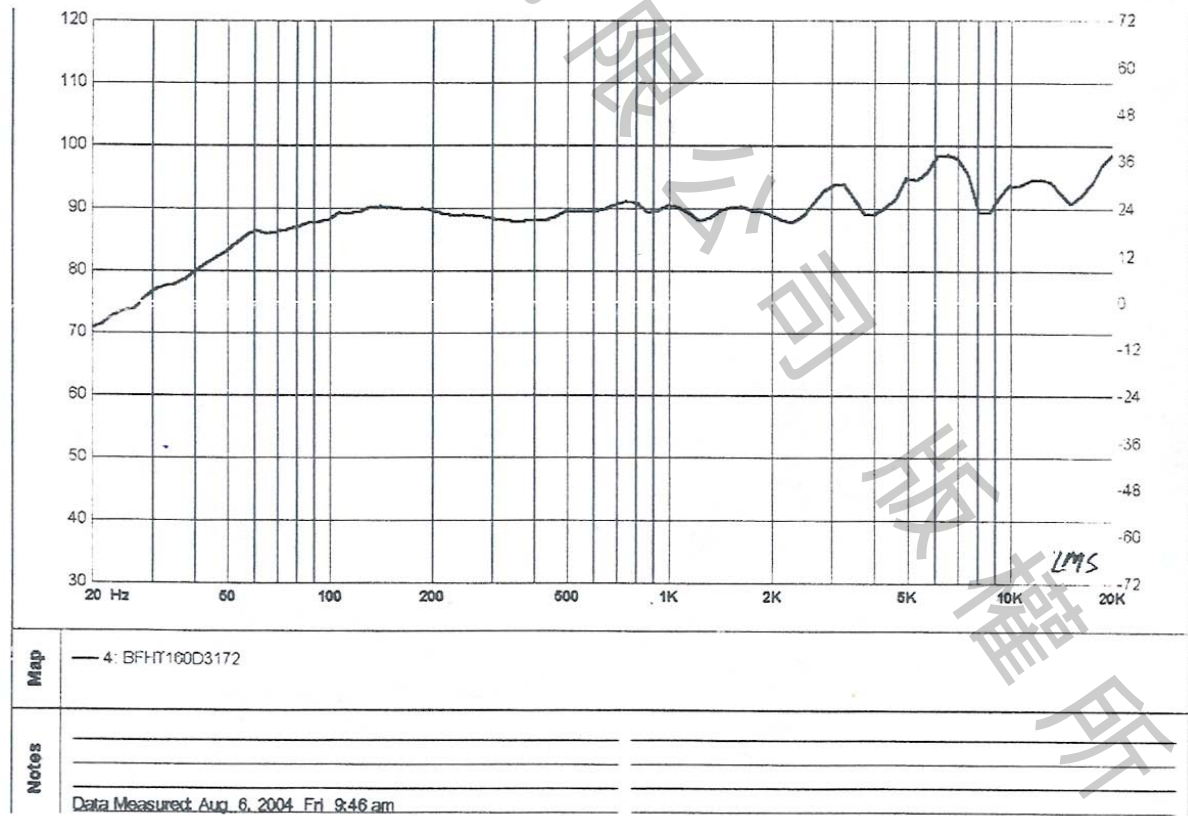
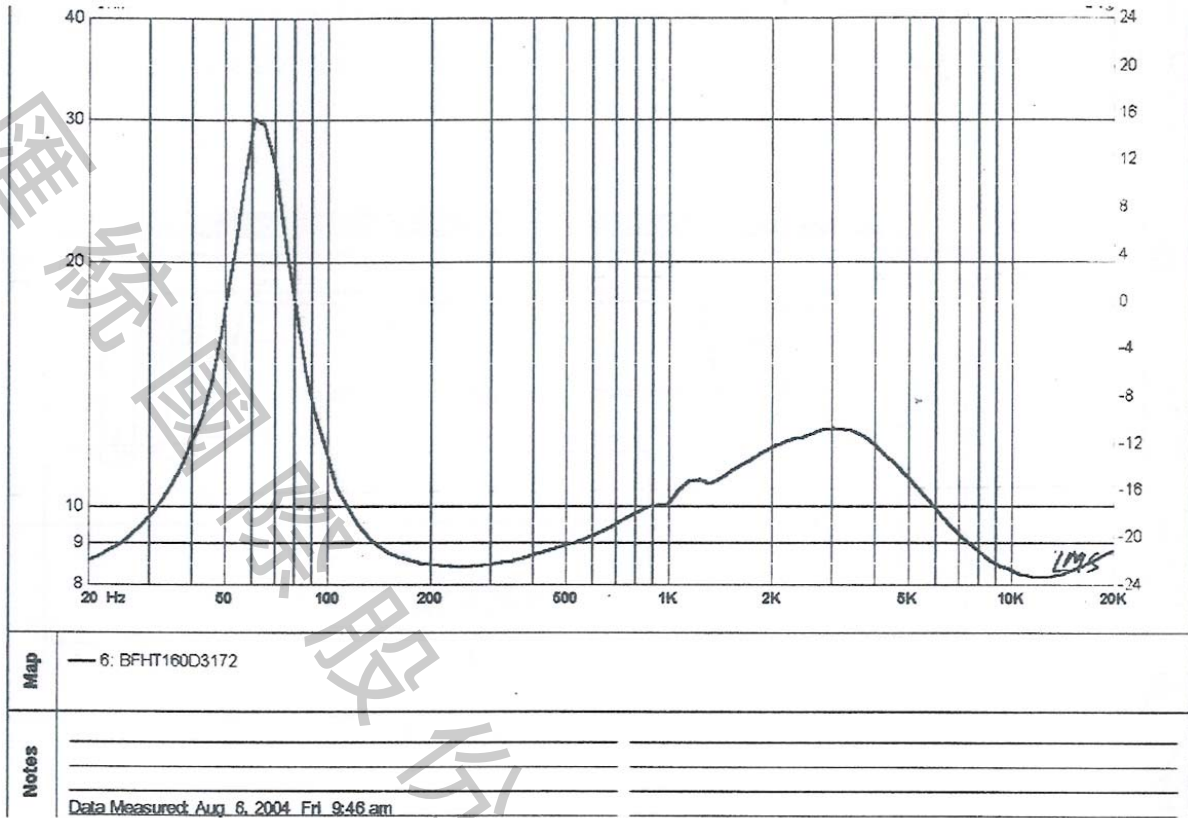
E-mail: carawang@hueytung.com.tw / <http://www.hueytung.com.tw>

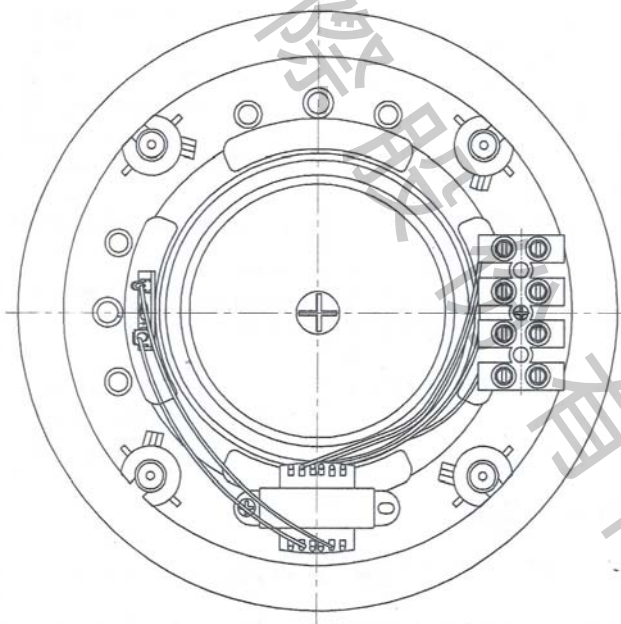
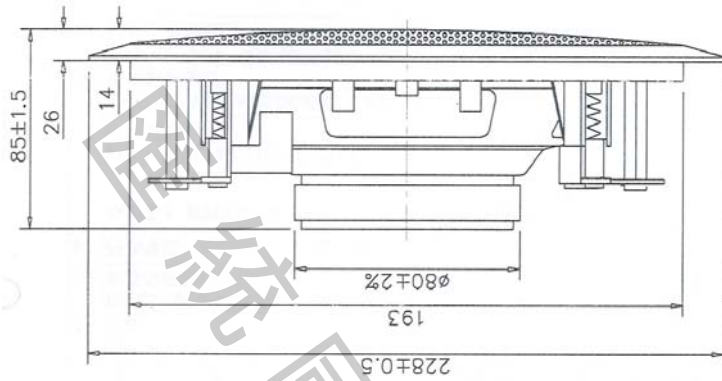
揚聲器製品規格書

SPEAKER SPECIFICATION

型號 Model Number:HTPA-621

項目 Items		規格 Specification		
1	公称阻抗 Nominal Impedance	8Ω±15% at 250 Hz 1.0v		
2	最低共振周波数 Lowest Resonance Frequency	65 Hz±15%Hz Without a baffle		
3	实效周波数带域 Effective Frequency Range	F0~20KHz -10dB		
4	出力音压 Output Sound Pressure Level	88dB±2dB 1W/1M at (100,200,300,400)Hz AVE.		
5	入力 Input	定格入力 Rated input 25 W	最大入力 Maximum input 50 W	
6	磁束密度 Flux Density	-----±10% GAUSS		
7	异常音试验电压 Buzz & Rattle Test	Must be normal at sine wave 8.9 V		
8	动作试验电压 Operation Test	Must be normal at program source		
9	极性 Polarity	Positive (+) on Right Hand Terminal		
10	磁石尺寸/重量 Magnet Dimension/Weigh	(TW)MAN 36*18*06H m/m (WF)MAN 36*18*06H m/m	17G (0.6 OZ) 283G (10 OZ)	
11	连续负荷试验 Life Test	EIA 426B noise 25 W 8 hours		
12	耐热试验 Heat Resistance	70°C±2°C 24Hours and then room temperature 1 hours		
13	耐湿试验 Humidity Resistance	40°C±2°C 24Hours and then room temperature 1 hours		
14	耐寒试验 Cold Resistance	-25°C±2°C 24Hours and then room temperature 1 hours		
15	落下试验 Drop Test	1000mm 75°±2°		
16	绝缘耐压试验 Insulation Resistance	Or more 1MΩ 以上		
17	周波数特性 Frequency Response Curve	参照附图 On Other Drawing		
18	失真率 Distortion	/		
19	各部 材质	Cone Paper	P.P. Carbon/Foam Edge	
		Voice Coil	Foam/Silk	
		Cap	Aluminum	
20	总重量 Total Weight	1260G (44.4 OZ)		
	Size: 6.5"	Approve:	Check:	Design:
	試作發行: 2004.08.06	Arthur	Chen	LIU





Tolerance: 0.5
Unit: mm