



匯統國際股份有限公司

Huey Tung International Co., Ltd.

產品規格書

Specification

[Model : HTPA-6222 / 2005.9.19 version]



Cara Audio Corporation

No.69, Lane 762, Dingzhong Road, Sanmin District, Kaohsiung City, Taiwan, ROC.


Tel: 886-7-310 5786 / Fax: 886-7-310 0783

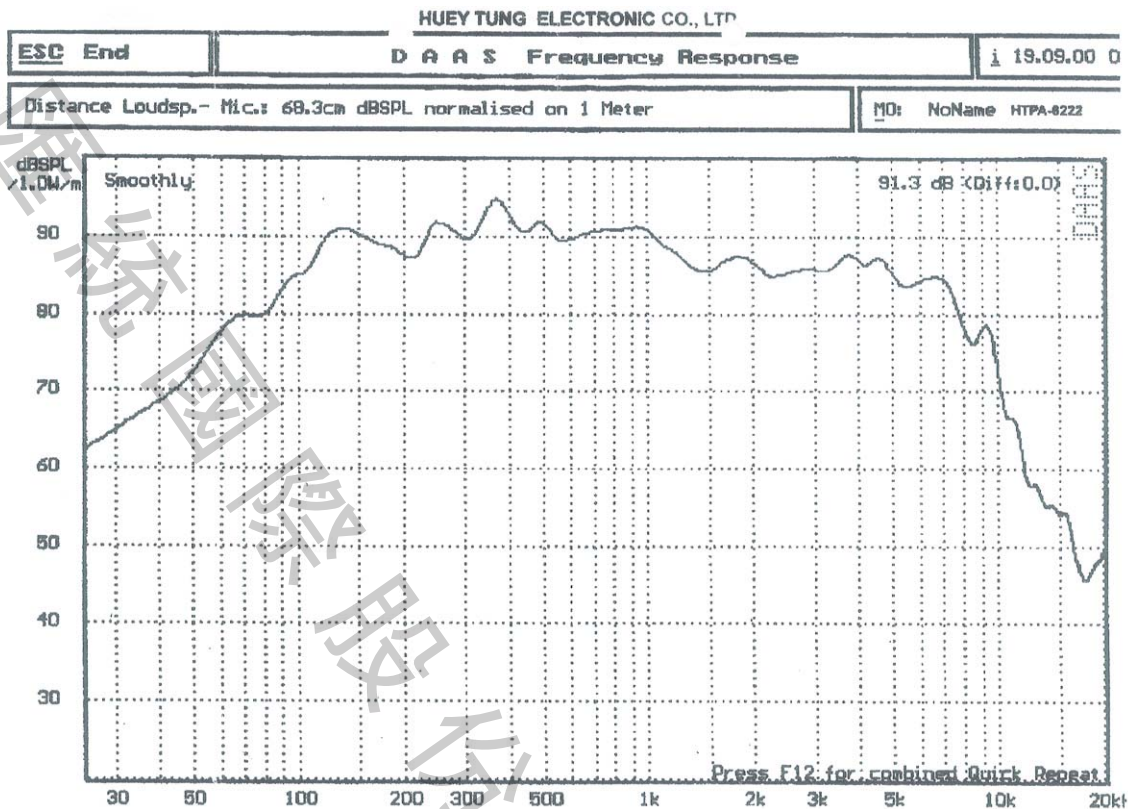
E-mail: carawang@hueytung.com.tw / <http://www.hueytung.com.tw>

揚聲器製品規格書

SPEAKER SPECIFICATION

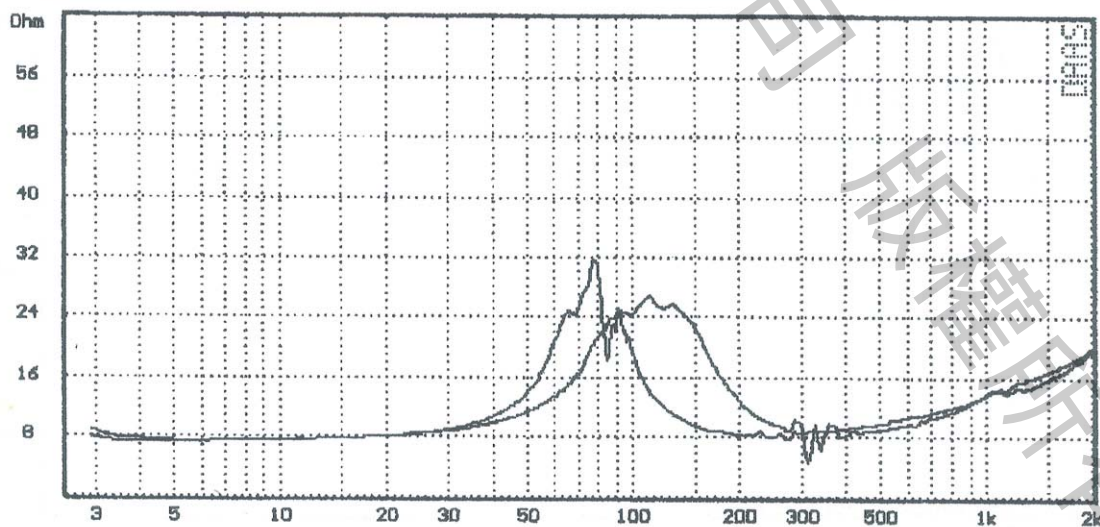
型號 Model Number:HTPA-6222

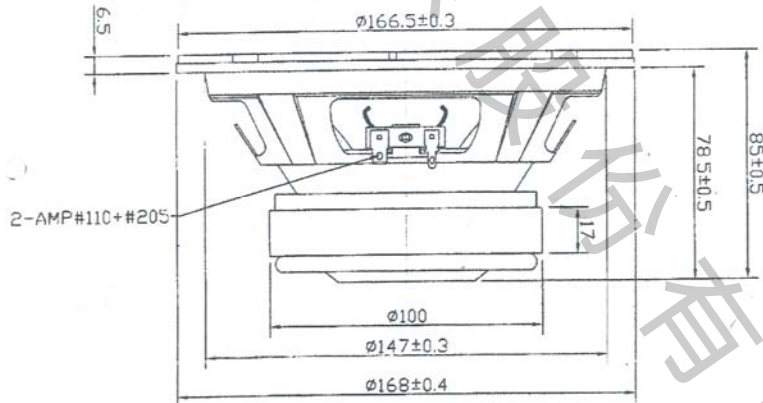
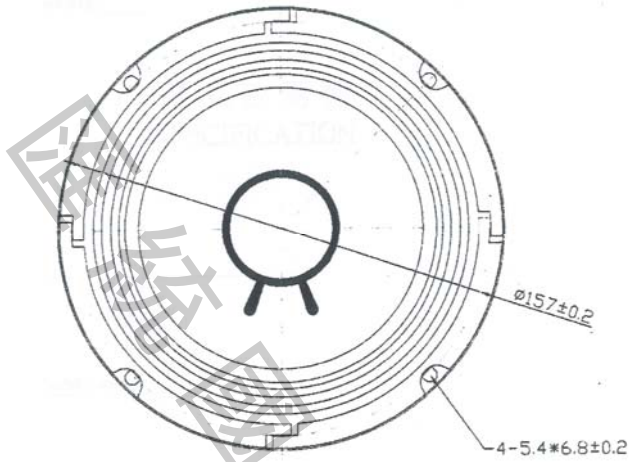
項目 Items		規格 Specification		
1	公称阻抗 Nominal Impedance	8Ω±15% at 400 Hz		
2	最低共振周波数 Lowest Resonance Frequency	118 Hz±20%Hz Without a baffle		
3	实效周波数带域 Effective Frequency Range	F0~7.5KHz -10dB		
4	出力音压 Output Sound Pressure Level	92dB±3dB 1W/1M at (300,400,500,600)Hz AVE.		
5	入力 Input	定格入力 Rated input 100 W	最大入力 Maximum input 150 W	
6	磁束密度 Flux Density	-----±10% GAUSS		
7	异常音试验电压 Buzz & Rattle Test	Must be normal at sine wave 35 V		
8	动作试验电压 Operation Test	Must be normal at program source 28.3 V		
9	极性 Polarity	右爲正極		
10	磁石尺寸/重量 Magnet Dimension/Weigh	Magnet: 100 * 45*17 Sub Magnet:	g (18.44 OZ) g (/ OZ)	
11	连续负荷试验 Life Test	EIA-RS426B 100 W 24 hours	After the Test, Speaker should be meet the Outside and item 7,8	
12	耐热试验 Heat Resistance	70°C±2°C 20%-50%RH 24Hours and then room temperature 1 hours		
13	耐湿试验 Humidity Resistance	40°C±2°C 90%-95%RH 24Hours and then room temperature 1 hours		
14	耐寒试验 Cold Resistance	-25°C±2°C 24Hours and then room temperature 1 hours		
15	落下试验 Drop Test	1M 75°±2°		
16	绝缘耐压试验 Insulation Resistance	Or more 0.5MΩ 以上		
17	周波数特性 Frequency Response Curve	参照附图 On Other Drawing		
18	失真率 Distortion	/		
19	各部 材质	Cone Paper	PAPER + CLOTH	
		Voice Coil	KSV	
		Cap	PAPER	
20	总重量 Total Weight	1477g(52.2 OZ)		
	Size: 6.5"	Approve:	Check:	Design:
	試作發行: 2005.9.19	Arthur	Tang	WANG



HUEY TUNG ELECTRONIC CO., LTD

ESC End	D A S Thiele Small Parameter	i 19.09.00 0
! Attention, Input range overload!		MO: NoName HTPA-6222
Fns: 118.7 Hz	Res: 15.5 Ω	Nref: 1.04 %
Qms: 1.96	Rms: 4.9 kg/s	B1: 10.6 N/A
Qes: 0.62	Cms: 0.14 mm/N	SPL: 92.2 dB
Qts: 0.47	Mms: 12.9 gr	Uas: 4.0 l
		Re: 7.2 Ω
		Le: 1.0 m
		Rp: 24.7 Ω
		Lp: 16.0 mH
		Cp: 243.5 μ F





Toerance: ± 0.5

Unit:mm